



PHILIPS

Solar Lighting

SunStay

SunStay

All in one solar street light

SunStay

All in one solar street light

Integrated solar street light with Lithium Ferro Phosphate battery, solar panel, charger and PIR sensor built into the luminaire. Pressure die cast aluminium housing for sturdiness and long life. Specially designed pole mounting bracket allows different tilt angles, lateral and pole top mounting. SunStay hybrid ensures zero blackout nights throughout the year.



Easy to install

All in one construction, adjustable tilt angles of 0 to 15 degrees, post top and lateral mounting positions, no cable trenching required



Long Lifetime

Sturdy Aluminium die cast construction and LiFePO4 battery.



Suitable for harsh environment

Water, dust and corrosion resistant. withstands extreme weather conditions, IP65 certified, 1000hrs salt spray tested.



Solar hybrid

Can be retrofitted on existing 220V AC infrastructure and poles.



Smart PIR motion sensor

Built in PIR sensor can detect people's motion to save energy by light dimming.



High efficacy

High luminous efficacy of 175 lm/Watt to maximize battery performance.



Smart

Self diagnosis with LED indicators of battery charging and discharging



Strong seasonal resilience

Smart hybrid charging from AC which ensures full battery capacity everyday.

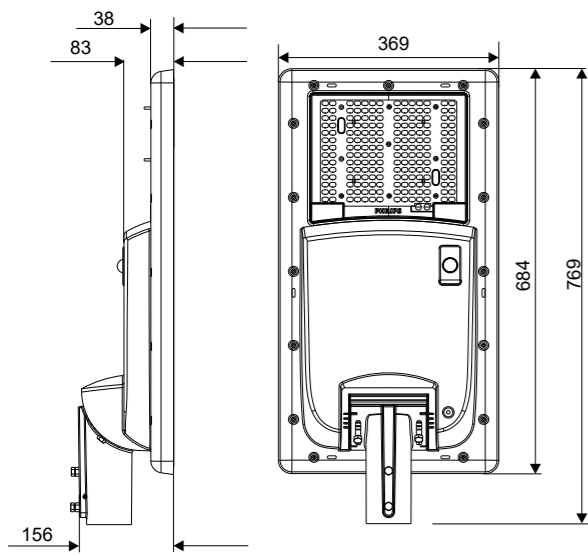


Applications

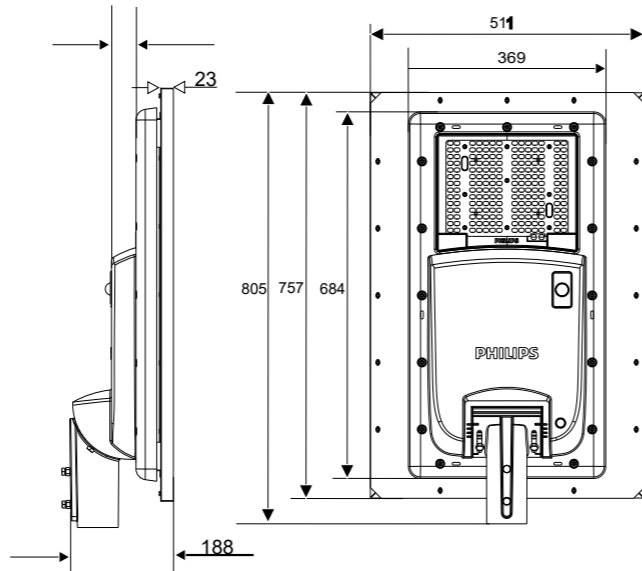
- Airports
- Military establishments
- Industries and schools
- Class A and B roads
- Rural areas
- Parks and pedestrian pathways
- Water fronts
- Corporate campuses and plazas



Product range and dimensions

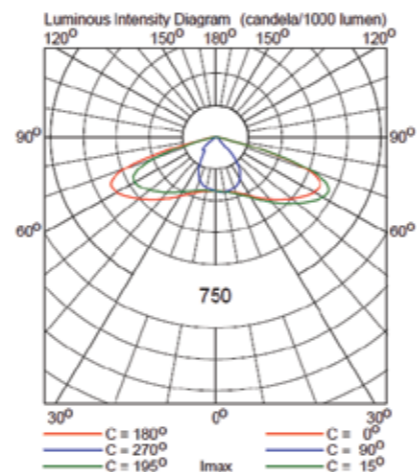
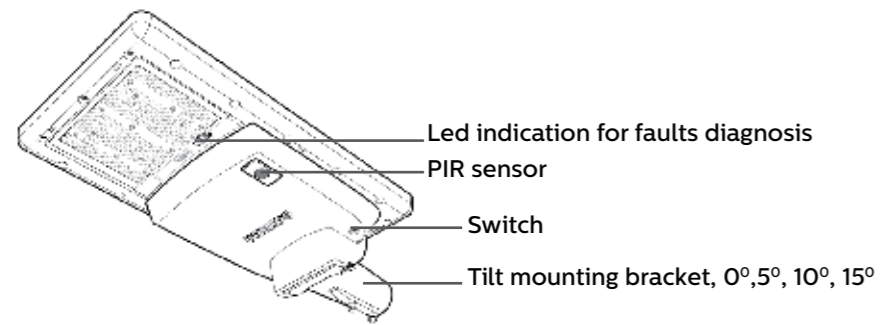


BRP710 - 2000 and 3000 lm



BRP710-4500 and 6000lm

Product structure and light distribution



Installation guide

1 Take the product out of the packing box.
 Labels: Shrink Wrap, Protective Cover, Luminaire, Mounting Bracket, 3 Core cable (Hybrid only).
 Note: Remove Shrink Wrap and Protective cover before installation.

2 Pass the wire through the pole and mount the luminaire (Hybrid only)

3 Mount the luminaire with the Pole.
 Labels: Horizontal Mounting, Vertical Mounting.
 Note: Tightened the bolts with torque of 8Nm.
 Pole Dia: 48 to 60mm

4 For Vertical Mounting installation Unscrew the Screw and remove the pole Mounting Bracket and assemble it as shown in Fig. B.
 Labels: Fig. A, Fig. B

5 Below mentioned inclinations are possible. 0°, 5°, 10°, 15°.

6 For accurate angle positioning, marks are made over the clamping position of the luminaire. Match the pole mounting piece marking with luminaire marking.
 Labels: 15°, 10°, 5°, 0°

7 After installation and during commissioning of luminaire, first press the switch to switch it ON and then connect 230V AC input to the luminaire (Hybrid only).
 Label: Switch

8 Solar panel senses darkness (minimum 10 seconds continuous darkness) and it switches on during night automatically.
 Labels: Moon, Stars

9 PIR sensor detects human body movement to change lighting levels as per dimming profile.
 Label: Human silhouette

10 For self diagnosis, LED indications displays the battery condition.
 Labels: LED indication, Battery level indicators

11 The most adapting areas are around the equator.
 Labels: World map, Luminaire

