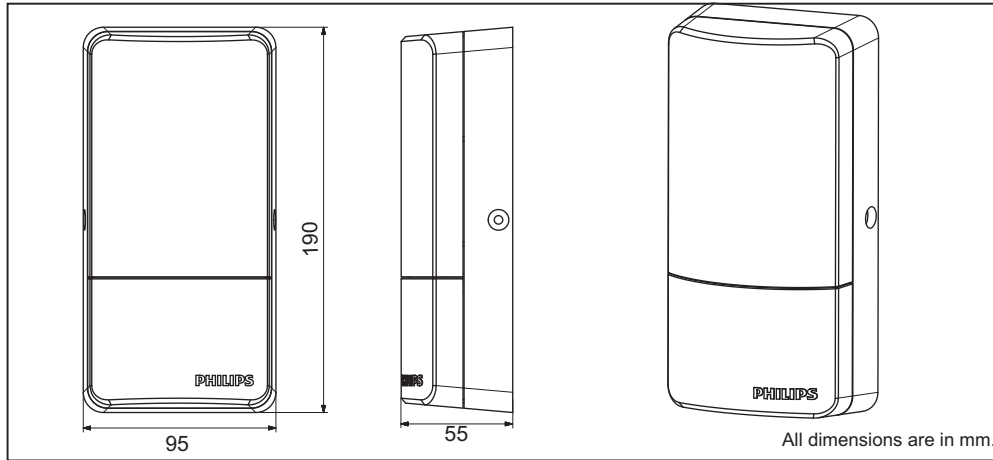
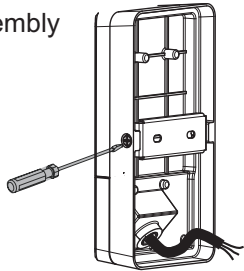


Dimensions

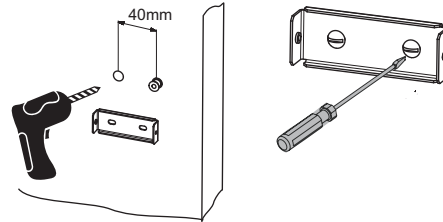


Installation

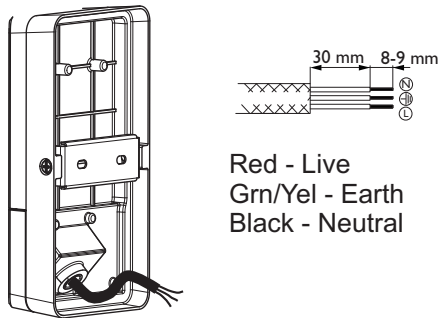
- 1** Remove luminaire from packing & remove mounting bracket from assembly



- 2** Drill 2 hole in wall & Mount Bracket to wall using wall plugs & screws provided.

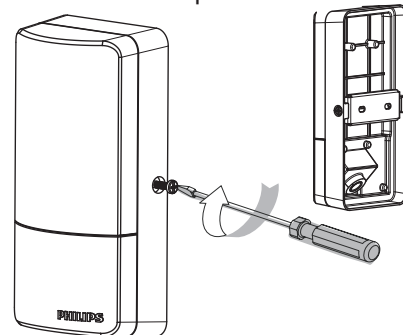


- 3** Connect the luminaire as per below description.



Note: Ensure to connect earthing wire

- 4** Fasten the screws on both side with the sufficient torque.



Installation Instruction

WT140W

Bulkhead Luminaire

Type	:	WT140W
Light Source	:	LED's
Voltage	:	120-270V, 50 Hz
IP Classification	:	IP-65
Net Weight	:	0.4 kg
Application	:	For Industrial use only

Warning

1. The luminaire shall be installed by qualified electrician and wired in accordance with the latest IS electrical regulations or the national requirements.
2. Turn power off before inspection, maintenance, installation or removal.
3. Refer to technical datasheet for additional electrical properties to ensure safe installation
4. Luminaire installed must not be in contact with combustible materials.
5. Ensure power supply cables (L-N / L-N-E) are connected correctly before switching on.
6. The connection of power cable on luminaire is type Y. If the external flexible cable or cord of this luminaire is damaged, it shall be exclusively replaced by the manufacturer or his service agent or a similar qualified person in order to avoid hazard.
7. The light source of this luminaire is not replaceable, when the light source reaches its end of life the whole luminaire shall be replaced.

Maintenance

1. Periodic cleaning of the luminaire diffuser will ensure max. optical efficiency.
2. Luminaire Diffuser shall be cleaned with water and non-abrasive soap, cleaner or detergent solution.

Caution

1. The luminaire must be used within the applicable product specifications, installation instructions and environmental conditions for storage & operations according to application guidelines provided by Philips for product Warranty to be valid.
2. In case the diffuser is found broken/damaged it should not be powered on and luminaire should be replaced.